

GROVE

WASSERHEIZGERAET
 WATER HEATING DEVICE

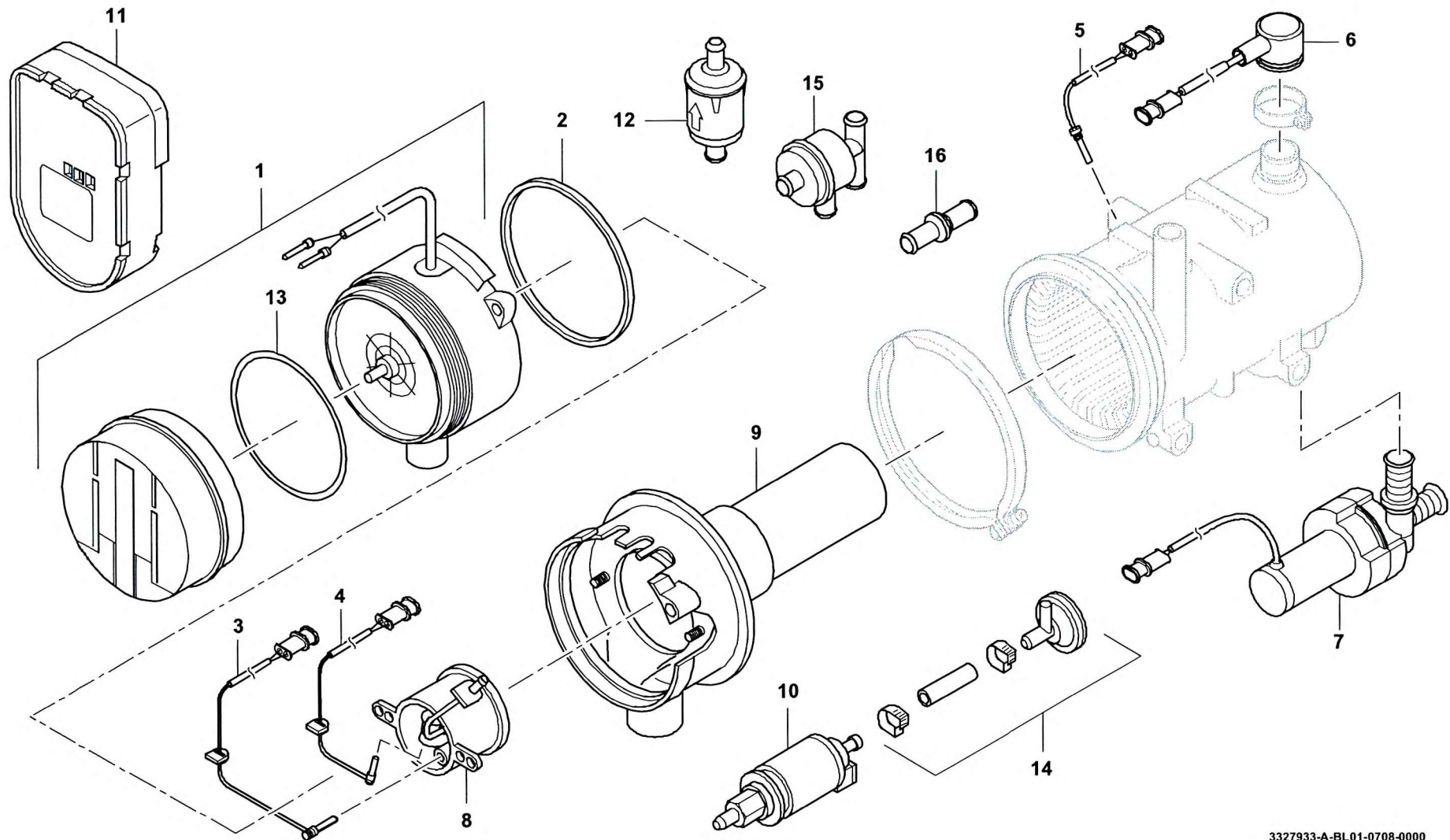
BILDTAFEL
 PICTORIAL DISPLAY

07.08

3327933-ETL A

1/1

GMK 5095
 BE 753
 G 296



3327933-A-BL.01-0708-0000